

# 2014 HINO 338

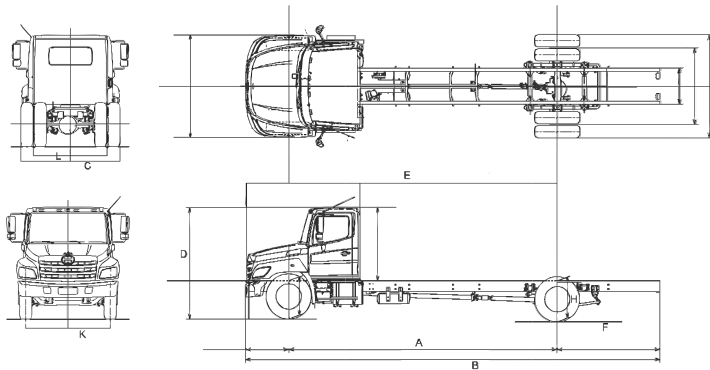
4 x 2 CONVENTIONAL GVW: 33,000 LBS. BBC: 108" ENGINE MODEL: J08E-VB (TURBO INTERCOOLED)



A Toyota Group Company

DIMENSIONS									
Wheelbase	A in.	152/G	175/J	187/L	205/M	217/P	235/R	253/T	271/V
Overall length	B in.	242.6	278.6	302.6	320.6	354.6	372.6	390.6	390.6
Overall width	C in.	96.5	96.5	96.5	96.5	96.5	96.5	96.5	96.5
Overall height	D in.	107.1	107.1	107.1	107.1	107.1	107.1	107.1	107.1
Cab to axle	E in.	84.6	107.6	119.6	137.6	149.6	167.6	185.6	203.6
Rear overhang	F in.	50.0	63.0	75.0	75.0	97.0	97.0	97.0	79.0
Frame height at									
Front axle	G in.	37.0	37.0	37.0	37.0	37.0	37.0	37.0	37.0
Rear axle	H in.	40.6	40.6	40.6	40.6	40.6	40.6	40.6	40.6
Road clearance (at diff. axle)	J in.	11.2	11.2	11.2	11.2	11.2	11.2	11.2	11.2
Tread									
Front	K in.	79.3	79.3	79.3	79.3	79.3	79.3	79.3	79.3
Rear	L in.	72.2	72.2	72.2	72.2	72.2	72.2	72.2	72.2
Turning diameter									
Curb to Curb	ft.	42.0	47.5	50.5	54.8	57.7	62.1	66.4	70.8
Wall to Wall	ft.	45.4	50.9	53.9	58.2	61.1	65.5	69.8	74.2

CHASSIS WEIGHTS (On standard specification, without spare tire & standard tool set)									
Total weight	lb.	10,625	10,725	10,815	10,980	11,065	11,120	11,165	11,245
Front axle	lb.	6,470	6,690	6,760	6,880	6,865	6,930	7,055	7,080
Rear axle	lb.	4,155	4,035	4,055	4,100	4,200	4,190	4,110	4,165



ENGINE	
Model	J08E-VB
Type	Diesel 4-cycle, 6-cylinder in-line water-cooled, dry cylinder line
Combustion system	Direct injection type
Max. output (SAE Gross)	260HP at 2,500 rpm
Max. torque (SAE Gross)	660 lb.-ft. at 1,500 rpm
Bore and stroke	4.41 x 5.12 in.
Piston displacement	8L
Fuel injection system	Common rail (HP-4)
Governor	Electronically controlled
Intake system	Turbocharged and intercooled
Air cleaner	Paper filter type (Donaldson)
Fan clutch	Bimetal thermostat sensor regulates fan speed
Glow plugs	Standard
Air compressor	Single cylinder, 15 cfm @ 1,250 rpm

POWERTRAIN AND PERFORMANCE											
GCW	33,000 lbs.										
GCWR*	33,000 lbs.				48,000 lbs.						
Powertrain	STD	OPT			OPT						
Max. speed mph** (programmable)	75	75	75	74	70	75	75	75	71	68	
Startability (tan.θ) %	39.6	33.9	37.2	42.0	44.5	57.7	48.5	53.8	60.0	60.0	
Transmission	Model	Allison 2500RDS with Shift Energy Management				Allison 3000 RDS					
	Type	Six-speed automatic				Six-speed automatic					
Ratios	1st	3.512				3.487					
	2nd	1.896				1.864					
	3rd	1.439				1.409					
	4th	1.000				1.000					
	5th	0.737				0.750					
	6th	0.640				0.650					
	Rev	5.086				5.027					
Rear Axle	21K Axle	5.57	4.88	5.29	5.86	6.14	5.57	4.88	5.29	5.86	6.14
Gear Ratios	23K Axle	---	---	5.38	5.63	6.14	---	---	5.38	5.63	6.14
Tires (standard)	11R22.5-14										

\*Condition is City delivery and 8% Max Grades \*\* Max speed is limited by speed limiter

**HINOWATCH** (service free of charge)  
 3 year unlimited roadside assistance  
 • Lockout Service  
 • Battery Jumpstart  
 • Information  
 • Warranty Towing (2 year coverage)



WWW.HINO.COM

# 2014 HINO 338



## WEIGHT CAPACITIES

Front axle	lbs.	12,000
Front axle (option)	lbs.	10,000
Front axle (option)	lbs.	14,000
Rear axle	lbs.	21,000
Rear axle (option)	lbs.	23,000
Front spring	lbs.	12,000
Rear spring	lbs.	21,000

## LIQUID CAPACITIES

Fuel tank	gal.	50
Cooling system	gal.	6.6
Engine oil	qt.	16.2
DEF tank	gal.	4.7

## AXLE / SUSPENSION

Front axle	MFS-12 series reversed Elliot, "I" beam with 12,000 lb (oil lubricated type)
Front spring	Taper-leaf springs shock absorber
Rear axle	RS21-145 series, full-floating, single reduction, single-speed by hypoid gearings
Rear spring	Semi-elliptic main and optional 4,500 auxiliary rubber rear spring (available on 23K rear axle option)

## FRAME

Ladder type		Straight C Channel
Width	in.	34
Yield strength	PSI	80,000
Resisting bending moment (one side)	in.-lbs.	1,280,000 (no reinforcement)

## STEERING

Steering column	Tilt and telescopic with lock adjustability
Steering system	TRW recirculating ball, with hydraulic booster, integral type

## WHEELS / TIRES

6 Wheels	22.5 x 8.25 10-stud disc.
Wheel style	Steel, powder coated
6 Tires	11R22.5(G)
Tire pattern	Fr-rib Rr-lug type

## BRAKES

Service brake	Full air, dual circuit, "S" cam type, leading & trailing shoes with automatic adjustment
Disc diameter x pad area (in.2) x thickness (in.)	Front (12K): 15 x 4 x 0.73 Front (14K): 16.5 x 5 x 0.73 Rear: 16.5 x 7 x 0.85
Control	Full air dual circuit with Antilock Brake System (ABS)
Parking brake	Spring brake acting on rear wheels
Exhaust brake	Electric-pneumatic with valve in exhaust pipe

## CHASSIS EQUIPMENT

Radiator grille	Chrome
Fuel tank	Aluminum
Fuel pre-filter	Heated pre-filter (dust) and sediment (water)
Reflectors	Two rear, two front side
Tow hook	One at front
Air dryer	Bendix, heated
Air tank	68L
Clean chassis ca	Standard with 50 gal fuel tank mounted under cab (driver side)

## CAB EQUIPMENT

Air conditioning	Standard
Cab construction	All steel welded
Cigarette lighter	Equipped
Coat hook	One (rear panel)
Cruise control	Standard
Cup holders	Standard
Door pockets	Two
Driver's seat	2-way adjustable seat with arm rest and air suspension, covered with vinyl
Heater/Defroster	18,357 BTU/h
Mirrors	Four, 1-flat and 1-convex at each side
Overhead consoles	Two
Passenger's seat	Bench type, covered with vinyl
Seat belts	3-point type (driver and passenger), one 2-point type (center)
Seating capacity	Three
Speakers	Two
Sun visors	Two
Windshield	Laminated
Windshield wipers	Dual electric, 2-speed/intermittent

## DASH INSTRUMENTATION

Meters and gauges ft. lb. system	
Speedometer-mph (km/h)	
Odometer (mile)	
Fuel gauge / DEF gauge	
Coolant temperature gauge	
Engine tachometer	
Warning and pilot lamps and buzzers/audio	
Oil pressure warning lamp and buzzer	
Brake pressure warning lamp and buzzer	
Coolant level warning lamp and buzzer	
Battery charging warning lamp	
High beam indicator lamp	
Turn signal pilot lamp	
Parking brake warning lamp	
Engine control system warning lamp	
ABS warning lamp	
DEF quantity and quality audio	
Driver Information Display (multilingual)	
Instant and trip fuel consumption	
DPR monitor	
Maintenance	
Engine/vehicle diagnostics	

## ELECTRICAL EQUIPMENT

Batteries	Two, parallel connection, each 12V
Capacity	1200 CCA
Alternator	12 V, 130 A, brush Delco
Starter	12 V, 4.0 kW Denso
Stereo	AM/FM radio with CD
Headlamps	Daytime running
Back-up lamps	
Dome lamp	
Electric horn (dual)	
Front side marker lamps	
Side-flasher lamp	
Stop/Tail lamps	
Trucklite LED marker lamps (front)	

## CAB CONFIGURATION OPTIONS

Clean Chassis CA	Standard with 50 gal fuel tank mounted under cab (driver side)
------------------	--

## OPTIONAL EQUIPMENT

Air horn	
Air ride suspension - Hendrickson	
Air ride suspension dump valve - Electric	
Alternator - 12 V, 135 A, brushless Delco	
Alternator - 12 V, 180 A, brush Delco	
Anti-Siphon device insert in fuel tank	
Back-up alarm	
Battery - Absorbed glass mat 31 configuration, 1850 CCA	
Battery - Three each 12 V (GR27x3)	
Battery - Two or three each 12 V (GR31 type)	
Bumper, front - Black and 4 inch extension (available 3 piece)	
Bumper, front - White and 4 inch extension (available 3 piece)	
Bumper, front - White 3 piece (available with 1 or 2 tow hooks)	
Bumper, front - Chrome and 4 inch extension	
Bumper, front - Chrome (available with 1 or 2 tow hooks)	
Cab paint, exterior - Black or red (factory)	
Cold weather package	
- Power heated mirrors (available in chrome)	
- Engine block heater	
Differential lock with controls	
Engine block heater	
Engine idle shutdown	
Exhaust system - Vertical stack type	
Frame rail - 120,000 psi (34.1 frame width)	
Front frame extension and stationary grille	
Fuel tank - Dual 50 gal	
Fuel tank - Single 90 gal.	
GVW Derate 25,950	
GVW 35,000 (available on 12K front, 23K rear axle)	
Hino INSIGHT Telematics System	
Keyed alike - Matching key codes	
Mirrors, fender mounted - Chrome (both sides or passenger only)	
Mirrors, outside rearview - Chrome	
Mirrors, power heated (available in Chrome)	
Power windows and power door locks (available with keyless entry)	
Seats - Fabric with reclining single person passenger seat	
Seats - Vinyl with reclining single person passenger seat	
Seats - Fabric with two person bench seat	
Sears seat - Vinyl black or fabric black/silver (upgrade driver seat only or with passenger seat upgrade)	
Shock absorbers, rear	
Stabilizer, rear (leaf suspension only)	
Synthetic fluids - Auto transmission and rear differential	
Tire pattern - Rib on rear	
Tire size - 295/75R22.5-14(G) (available on 21K rear axle only)	
Transmission, automatic - Allison 3000/3500 RDS	
Wheels - Alcoa polished aluminum	
Wheels - Powder coated gray	

## NOTES

All specifications of the products are with normal manufacturing allowances and tolerances. Hino Motors Sales U.S.A., Inc. reserves the right to alter specifications at any time without previous notice. Some optional items of equipment may require extra time due to the need for their adaption on the product line.